

**SANIFICATION
POINT**



**A complete range for indoor use,
designed to simplify personal
sanitization and waste disposal
operations.**

**All the products of the
Sanification Point collection
are practical and elegant,
available in different
configurations to meet the
needs of public and private
places such as offices,
shopping centers,
condominium areas,
schools and much more.**

metalco

SOCIAL
DESIGN
FOR
REAL LIFE



COLOMBO
The full station



BERING
The space saver



MAGELLANO
The adaptable solution



VESPUCCI
The easy collector



Stickers kit - not applied - for:
disposable gloves / masks / wipes



Optional accessory: wheels kit

Dimensions (version with feet):
H=1420 mm, L=408 mm, D=356 mm
Litter bin capacity: 60 lt
Weight: approx. 28 kg



Optional accessory:
circular sign for logo
(customizable with stickers)

Sanification Point COLOMBO is an elegant system for all those indoor contexts that need a complete and professional solution

It is designed to be a hand sanitization station and, thanks to a large dedicated and protected compartment where you can store up to two boxes of gloves, masks or wipes, it is a practical distribution point for useful devices. It is simple and intuitive to use and specific pictograms can be applied for a clear visual indication.

The system is equipped with a capacious bin complete with a steel inner liner, to ease the collection and disposal of waste, also in public spaces or largely attended places.

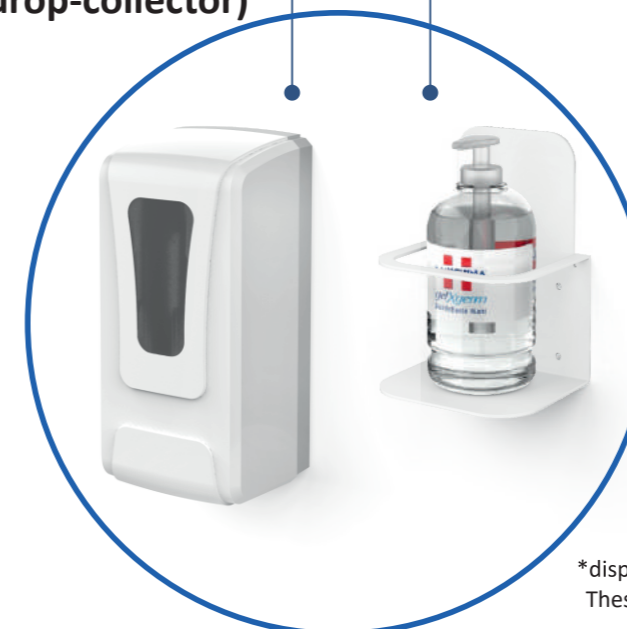
Thanks to proper pre-arranged holes on the front side, the station can be equipped with a battery powered automatic dispenser of hand-sanitizer or with a stainless steel universal bottle-holder.

The automatic dispenser comes with a practical drop-collector.

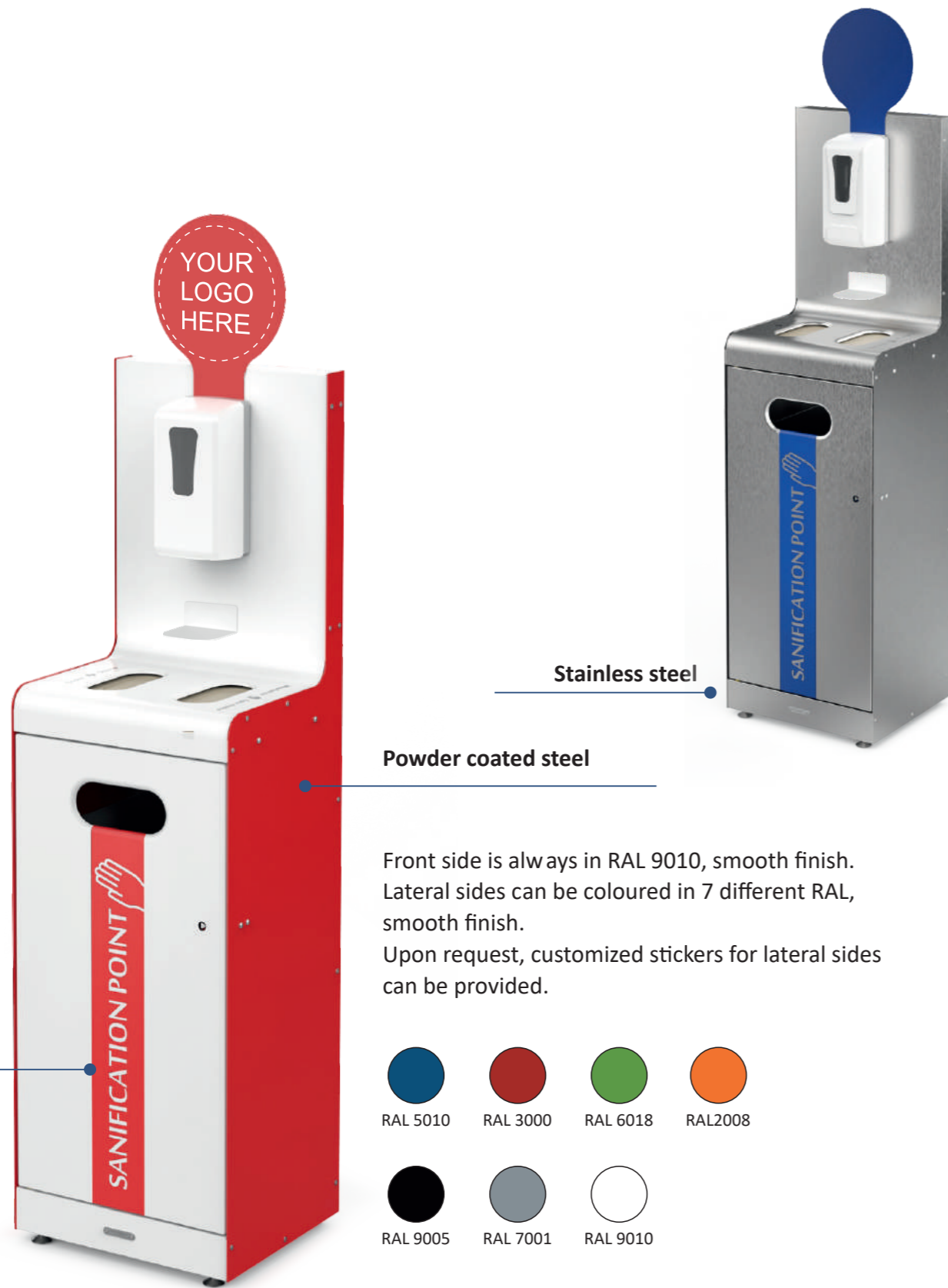
Optional accessories:

Dispenser with IR sensor (comes with drop-collector)*

Bottle-holder*

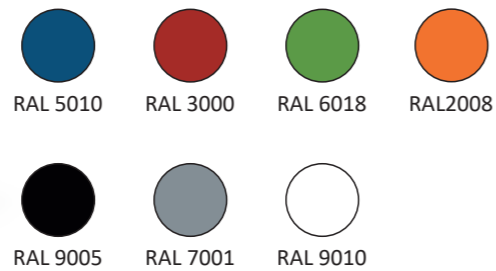


*dispenser and bottle-holder shown are purely indicative. These items can vary according to the availability.

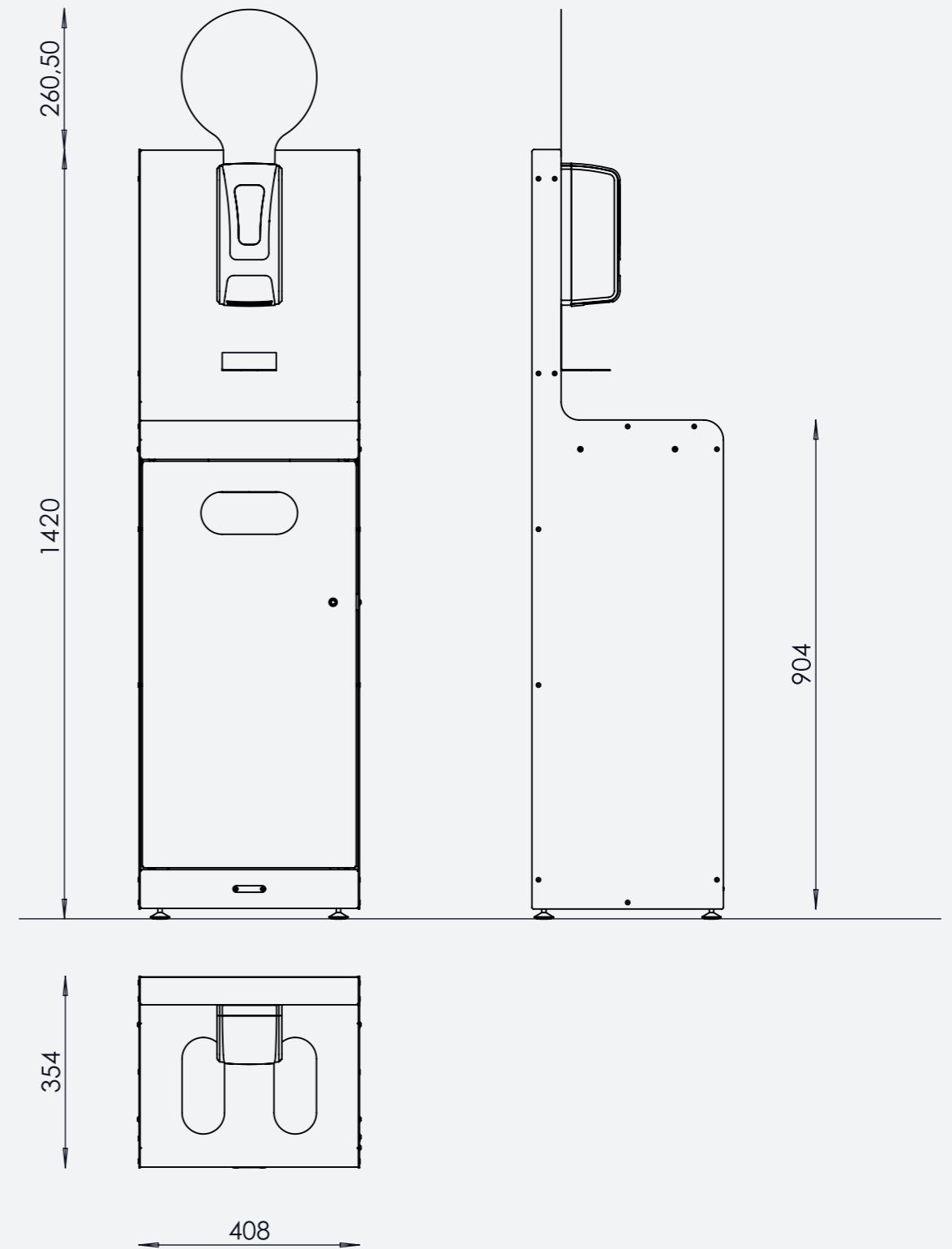


Powder coated steel

Front side is always in RAL 9010, smooth finish. Lateral sides can be coloured in 7 different RAL, smooth finish. Upon request, customized stickers for lateral sides can be provided.



"SANIFICATION POINT" sticker available in 6 colour combinations – not applied:



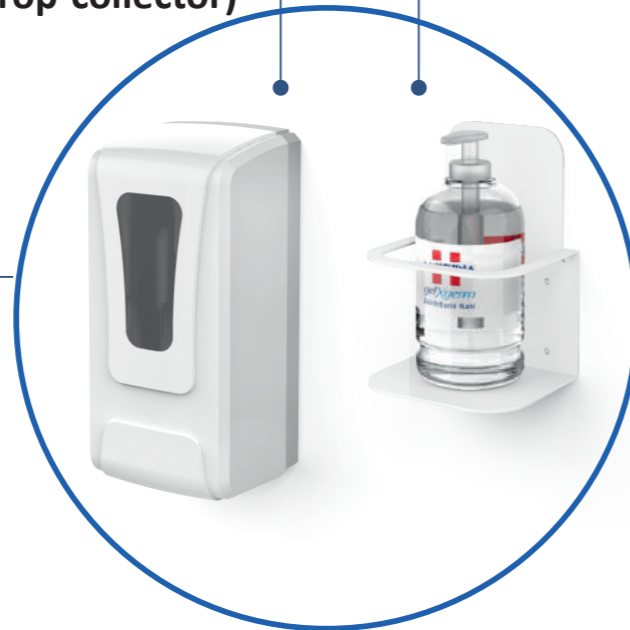
Dimensions (version with feet):
 H=1440 mm, L=408 mm, D=356 mm,
 Inner liner capacity: 60 lt
 Weight: approx. 28 kg



Optional accessories:

Dispenser with IR sensor (comes with drop-collector)*

Bottle-holder*



*dispenser and bottle-holder shown are purely indicative. These items can vary according to the availability.



Stickers kit - not applied - for: disposable gloves / masks / wipes

Dimensions:
H=1440 mm + h 260 mm, L=310 mm, D=303 mm
Litter bin capacity: 22 lt
Weight: approx. 21 kg



Sanification Point BERING is a practical and intuitive solution for indoor use.

The system includes an openable compartment which can store one bag for waste collection and one box of devices, such as disposable gloves, mask and wipes.

To ease the use, specific pictograms can be applied for a clear visual indication.

Thanks to appropriate pre-arranged holes on the front side, the module can be equipped with a battery powered automatic dispenser of hand-sanitizer or with a stainless steel universal bottle-holder, becoming also an elegant and compact hand sanitization station.

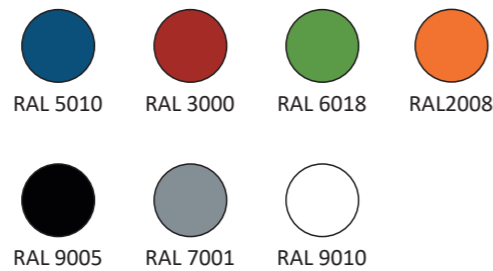
The automatic dispenser comes with a practical drop-collector.



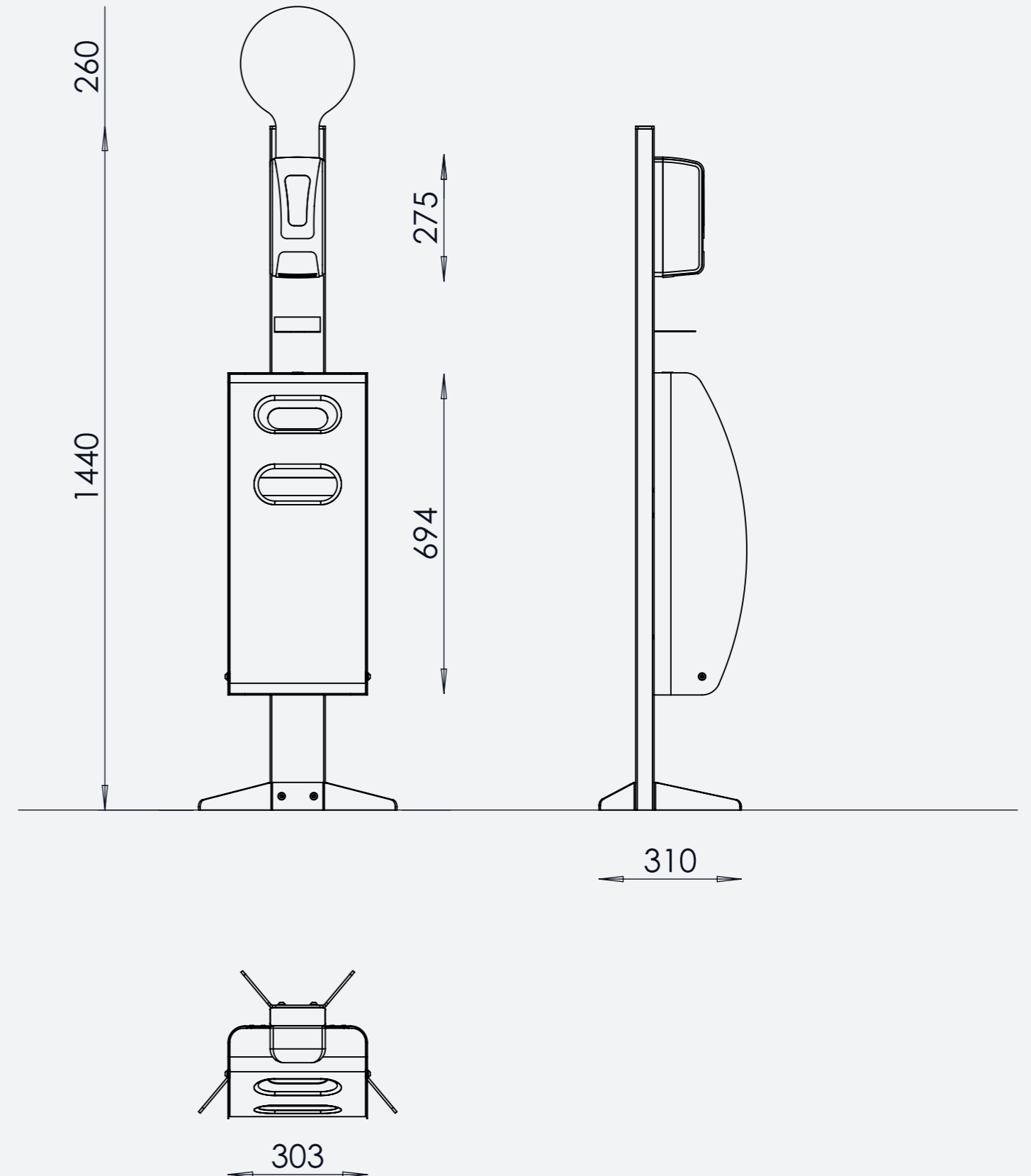
Optional accessory:
circular sign for logo
(customizable with stickers)

Available in powder coated steel.

Openable front door is always in RAL 9010,
smooth finish.
Column and fixed compartment structure
can be coloured in 7 different RAL, smooth finish.



"SANIFICATION POINT" sticker available in 6 colour combinations – not applied.



Dimensions:
H=1440 mm + h 260 mm, L=310 mm, D=303 mm
Litter bin capacity: 22 lt
Weight: approx. 21 kg

Optional accessories:

Dispenser with IR sensor (comes with drop-collector)*

Bottle-holder*



*dispenser and bottle-holder shown are purely indicative. These items can vary according to the availability.



As standard, the system includes two removable shelves easily fixable with knobs.

If needed, it is possible to install a simple litter bin with elastic bag holder.

Dimensions:
H=1440 mm + h 260,50 mm
L=403 mm, D=330 mm
Litter bin capacity: 38 lt
Weight: approx. 14 kg



Sanification Point MAGELLANO is a compact solution for the distribution of devices, such as disposable gloves, masks, or wipes, thanks to two removable shelves, easily fixable with knobs.

Suitable for indoor use, it can be also a hand sanitization station: appropriate pre-arranged holes on the front side of the station, allow to place a battery powered automatic dispenser of hand-sanitizer or a stainless steel universal bottle-holder.

The automatic dispenser comes with a practical drop-collector.

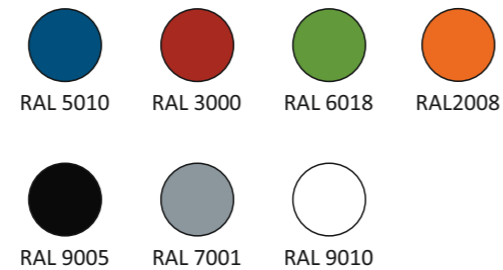
Thanks to an optional litterbin with elastic bag holder, the station can become also a point for the collection of waste.



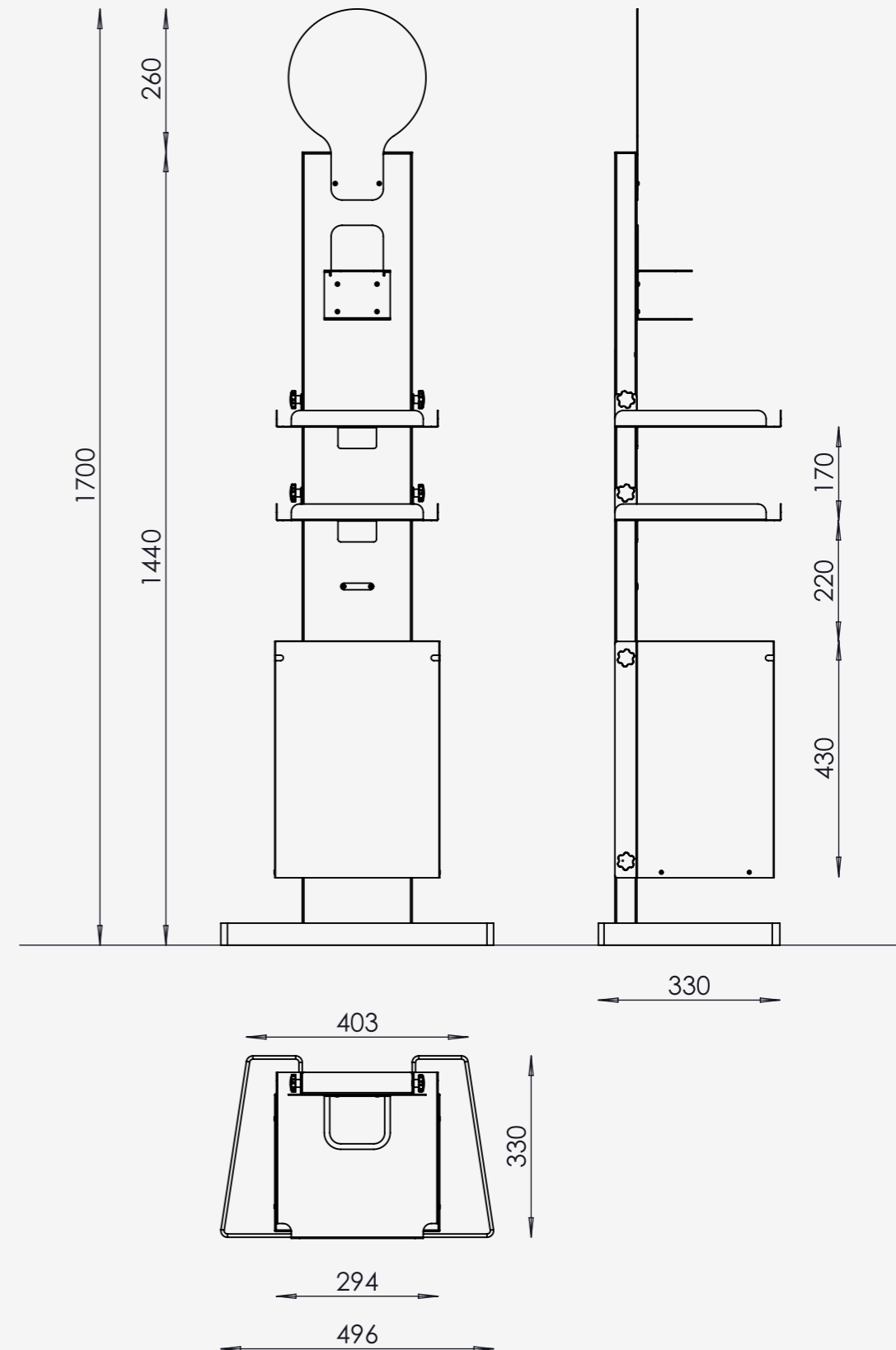
**Optional accessory:
circular sign for logo
(customizable with stickers)**

Available in powder coated steel.

Openable front door is always in RAL 9010, smooth finish.
Column and fixed compartment structure can be coloured in 7 different RAL, smooth finish.



"SANIFICATION POINT" sticker available in 6 colour combinations – not applied.



Dimensions:
H=1440 mm + h 260,50 mm,
L=403 mm, D=330 mm,
Inner liner capacity: 38 lt
Weight: approx. 14 kg

Structure in powder coated steel
RAL 9010, smooth finish.



Standard stickers with pictograms available in 6 colours:



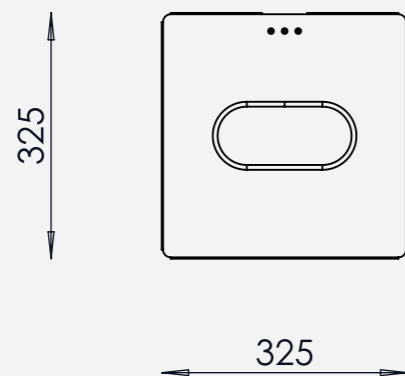
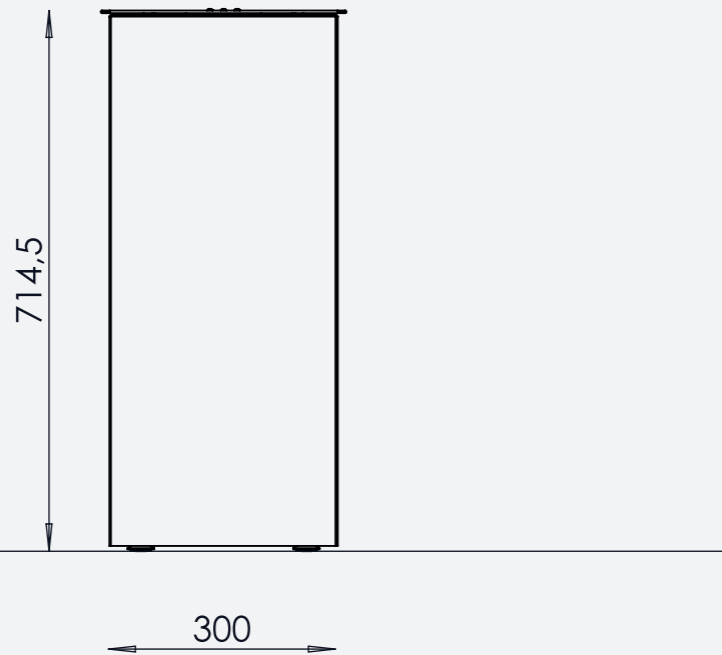
Dimensions (version with feet):
H=714,5 mm, L=325 mm, D=300 mm
Litter bin capacity: 60 lt
Weight: approx. 9 kg

Sanification Point VESPUCCI
is the perfect litter bin for
indoor use, designed to ease the
collection of disposed devices,
such as masks, gloves or wipes.

A cut on the openable top lid allows to easily
throw away the used devices, respecting
safety and hygiene.

The bin can be customized with stickers.





Dimensions (version with feet):
 H=714,5 mm, L=325 mm, D=300 mm
 Litter bin capacity: 60 lt
 Weight: approx. 9 kg

For
 more
 details
 visit
www.metalco.it
 or contact
export@metalco.it



COLOMBO
The full station



BERING
The space saver



MAGELLANO
The adaptable solution



VESPUCCI
The easy collector



SOCIAL
DESIGN
FOR
REAL LIFE

metalco.it info@metalco.it