

Pitti B



Modular double-sided bike rack (2+2 bikes) in stainless steel composed of two horizontal tubes to which supports for bikes are welded, equipped with wheel supports, positioned at two different alternate heights. This configuration allows to simultaneously accommodate two bikes parked opposite each support, doubling the parking capacity.

Variant code: 0030830

Size and weight: Width 1100mm
Length 960mm
Weight 27kg
Seat Height 830mm

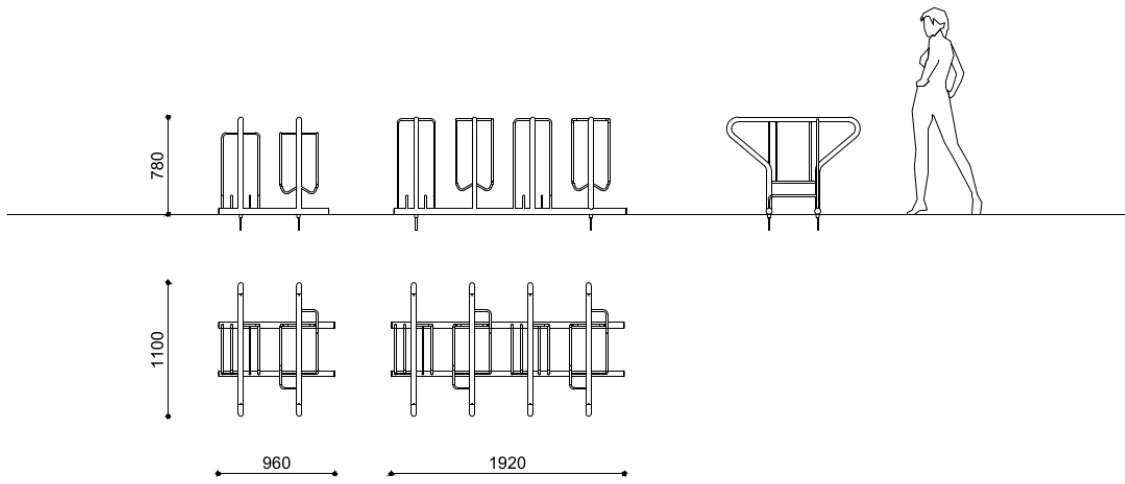
Materials: Stainless steel

Finishes: Brushed stainless steel

Color:
NO

Fixing: Below ground installation

Technical drawing:



metalco.it
info@metalco.it



STAINLESS STEEL

For our stainless steel products and components, we normally use AISI 304 or 304L stainless steel, but in case of installation in highly aggressive conditions we recommend requesting AISI 316 stainless steel.

Our stainless steel is usually brushed or shotblasted, depending on the technical features of the product.

Electropolishing treatment is also available, upon request.



BRUSHED



SHOTBLASTED

