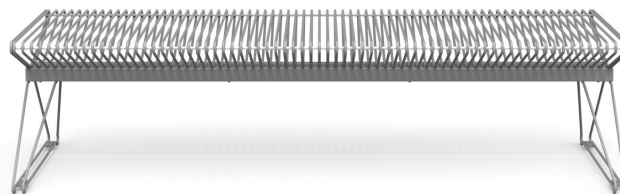


Roch L



Bench without backrest, composed of a seat made of powder coated steel rods, fixed and joined together on a tube frame. The bench is equipped with two supports in powder coated steel rod. Each support is composed of two triangular structures.

Variant code: 0074114

Size and weight: Width 585mm
Length 1705mm
Weight 48kg
Seat Height 425mm

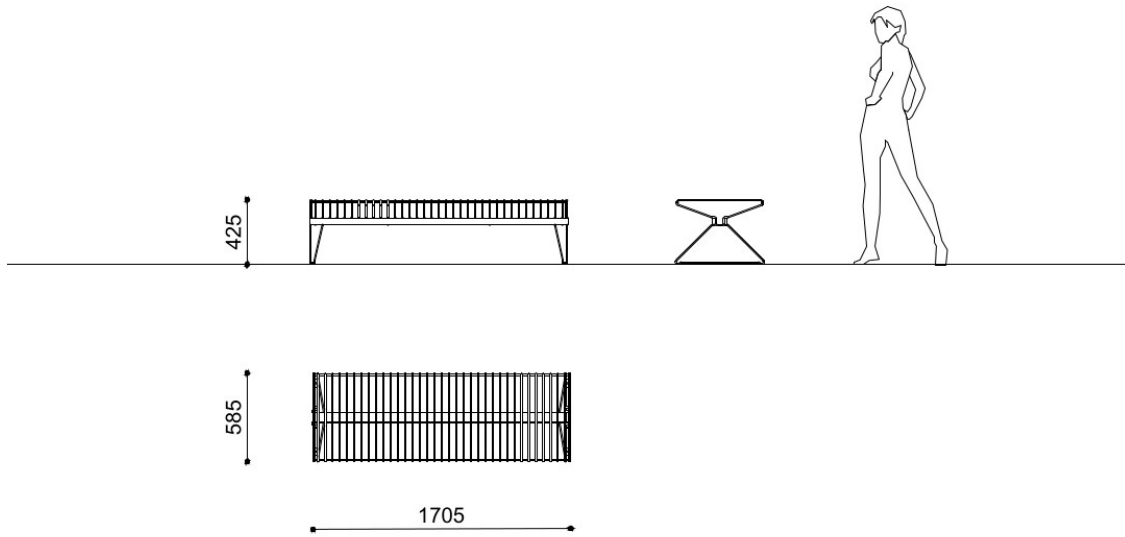
Materials: Steel treated with protective coating and powder coating

Finishes: Polyester powder coated steel in wrinkled finish

Color:
to be chosen from Metalco standard colour range

Fixing: Pre-drilled for anchors

Technical drawing:



metalco.it
info@metalco.it



POWDER COATED STEEL - POWDER COATED ALUMINUM

For every steel product and component, we choose the most suitable raw materials and treatments based on our production cycle and the needs of each design.

Our steel treatments include hot-dip galvanization, cold galvanizing, Sendzimir galvanization, cataphoresis and primer coating.

For our aluminum products and components, we use aluminum in sheet or in extrusion or in casting.

Then we powder coat steel, stainless steel, and aluminum with polyester powder, in accordance with EN ISO 12944-2.

We offer a wide range of standard RAL colors with wrinkled finish with different levels of texture. Only when customization through stickers, pad printing or serigraphy is provided, for technical reasons, their finish will be smooth matte or smooth glossy, depending on the technical feasibility.

We also offer the exclusive SABLÈ' colours, with a peculiar metallic wrinkled texture.

Upon request, different treatments and customizations are available, such as powder coating with non-standard RAL colors, and/or with smooth matte and smooth glossy finishes, and/or anti-graffiti treatment.

If required, the powder coating process can be certified Quality Steel.

RAL



SABLÈ



The mentioned RAL and SABLÈ colours should be considered only illustrative.

metalco.it
info@metalco.it

