

Ruota



Bike rack in powder coated stainless steel composed of a circle, a decorative tube element and a steel sheet support base. With base plate.

Variant code: 0031534

Size and weight: Width 40mm
Length 885mm
Height 970mm
Weight 8kg

Materials: Polyester powder coated stainless steel

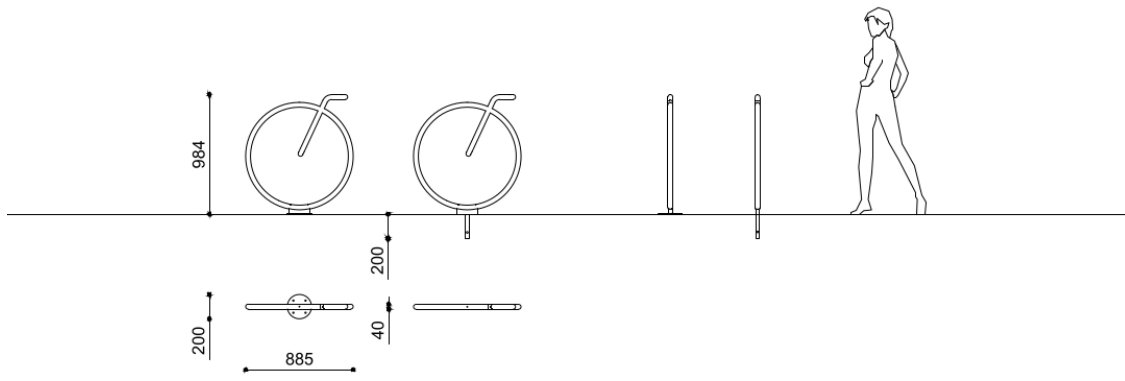
Finishes: Polyester powder coated stainless steel in wrinkled finish

Color:
to be chosen from Metalco standard colour range

Finishes:

Fixing: Pre-drilled for anchors

Technical drawing:



metalco.it
info@metalco.it



POWDER COATED STEEL - POWDER COATED ALUMINUM

For every steel product and component, we choose the most suitable raw materials and treatments based on our production cycle and the needs of each design.

Our steel treatments include hot-dip galvanization, cold galvanizing, Sendzimir galvanization, cataphoresis and primer coating.

For our aluminum products and components, we use aluminum in sheet or in extrusion or in casting.

Then we powder coat steel, stainless steel, and aluminum with polyester powder, in accordance with EN ISO 12944-2.

We offer a wide range of standard RAL colors with wrinkled finish with different levels of texture. Only when customization through stickers, pad printing or serigraphy is provided, for technical reasons, their finish will be smooth matte or smooth glossy, depending on the technical feasibility.

We also offer the exclusive SABLÈ' colours, with a peculiar metallic wrinkled texture.

Upon request, different treatments and customizations are available, such as powder coating with non-standard RAL colors, and/or with smooth matte and smooth glossy finishes, and/or anti-graffiti treatment.

If required, the powder coating process can be certified Quality Steel.

RAL



SABLÈ



The mentioned RAL and SABLÈ colours should be considered only illustrative.

metalco.it
info@metalco.it



STAINLESS STEEL

For our stainless steel products and components, we normally use AISI 304 or 304L stainless steel, but in case of installation in highly aggressive conditions we recommend requesting AISI 316 stainless steel.

Our stainless steel is usually brushed or shotblasted, depending on the technical features of the product.

Electropolishing treatment is also available, upon request.



BRUSHED



SHOTBLASTED

