

Umbrel L



Shelter composed of two load-bearing columns in powder coated steel, on which steel blades are radially welded, without LED lighting system. The steel blades support a roof made of a composite aluminum panel. The roof is inclined so as to convey rainwater inside the columns and it is equipped with an extruded aluminum perimetral closure, on which the toponym can be indicated. The shelter is equipped with a bench with backrest in elliptical steel profiles and a back and side frame, on which tempered glass sheets are anchored by stainless steel clamps.

Variant code: 0105334

Size and weight: Width 4800mm
Length 1600mm
Height 2780mm

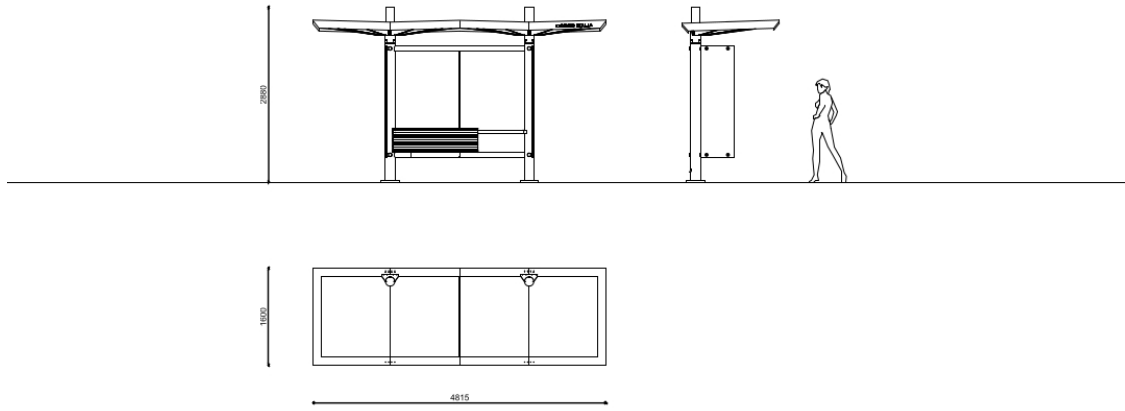
Materials: Polyester powder coated aluminum
+
Steel treated with protective coating and powder coating
+
Tempered glass

Finishes: Polyester powder coated aluminum in wrinkled finish
+
Polyester powder coated steel in wrinkled finish

Color:
to be chosen from Metalco standard colour range

Fixing: Installation with threaded bars

Technical drawing:



metalco.it
info@metalco.it



POWDER COATED STEEL - POWDER COATED ALUMINUM

For every steel product and component, we choose the most suitable raw materials and treatments based on our production cycle and the needs of each design.

Our steel treatments include hot-dip galvanization, cold galvanizing, Sendzimir galvanization, cataphoresis and primer coating.

For our aluminum products and components, we use aluminum in sheet or in extrusion or in casting.

Then we powder coat steel, stainless steel, and aluminum with polyester powder, in accordance with EN ISO 12944-2.

We offer a wide range of standard RAL colors with wrinkled finish with different levels of texture. Only when customization through stickers, pad printing or serigraphy is provided, for technical reasons, their finish will be smooth matte or smooth glossy, depending on the technical feasibility.

We also offer the exclusive SABLÈ' colours, with a peculiar metallic wrinkled texture.

Upon request, different treatments and customizations are available, such as powder coating with non-standard RAL colors, and/or with smooth matte and smooth glossy finishes, and/or anti-graffiti treatment.

If required, the powder coating process can be certified Quality Steel.

RAL



SABLÈ



The mentioned RAL and SABLÈ colours should be considered only illustrative.

metalco.it
info@metalco.it

