

# Verso P

---



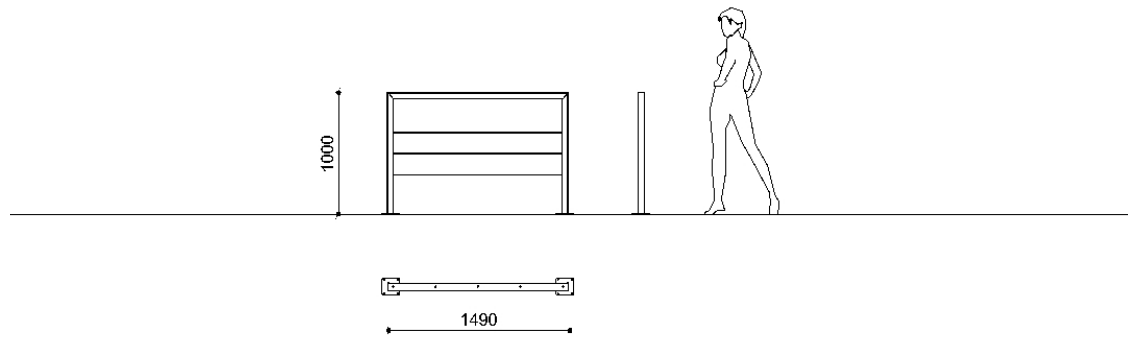
Modular barrier composed of an external perimeter profile in powder coated steel plate and an internal tube in stainless steel and equipped with stainless steel wire ropes, arranged in three parallel rows.

---

<b>Variant code:</b>	0220344	<b>Finishes:</b>	Polyester powder coated steel in wrinkled finish
<b>Size and weight:</b>	Width 1490mm Length 60mm Height 1000mm Weight 21kg		Brushed stainless steel
<b>Materials:</b>	Steel treated with protective coating and powder coating  Stainless steel		Color: to be chosen from Metalco standard colour range
		<b>Fixing:</b>	Pre-drilled for anchors or Below ground installation

---

Technical drawing:



metalco.it  
info@metalco.it



# POWDER COATED STEEL - POWDER COATED ALUMINUM

For every steel product and component, we choose the most suitable raw materials and treatments based on our production cycle and the needs of each design.

Our steel treatments include hot-dip galvanization, cold galvanizing, Sendzimir galvanization, cataphoresis and primer coating.

For our aluminum products and components, we use aluminum in sheet or in extrusion or in casting.

Then we powder coat steel, stainless steel, and aluminum with polyester powder, in accordance with EN ISO 12944-2.

We offer a wide range of standard RAL colors with wrinkled finish with different levels of texture. Only when customization through stickers, pad printing or serigraphy is provided, for technical reasons, their finish will be smooth matte or smooth glossy, depending on the technical feasibility.

We also offer the exclusive SABLÈ' colours, with a peculiar metallic wrinkled texture.

Upon request, different treatments and customizations are available, such as powder coating with non-standard RAL colors, and/or with smooth matte and smooth glossy finishes, and/or anti-graffiti treatment.

If required, the powder coating process can be certified Quality Steel.

## RAL



## SABLÈ



The mentioned RAL and SABLÈ colours should be considered only illustrative.

metalco.it  
info@metalco.it



## STAINLESS STEEL

---

For our stainless steel products and components, we normally use AISI 304 or 304L stainless steel, but in case of installation in highly aggressive conditions we recommend requesting AISI 316 stainless steel.

Our stainless steel is usually brushed or shotblasted, depending on the technical features of the product.

Electropolishing treatment is also available, upon request.

---



BRUSHED



SHOTBLASTED

