

Nuvola



Bench with backrest composed of seat in hardwood and a supporting structure in powder coated steel.

Variant code: 0015374

Size and weight: Width 1840mm
Length 595mm
Height 750mm
Weight 70kg
Seat Height 445mm

Materials: Steel treated with protective coating and powder coating
+
Hardwood

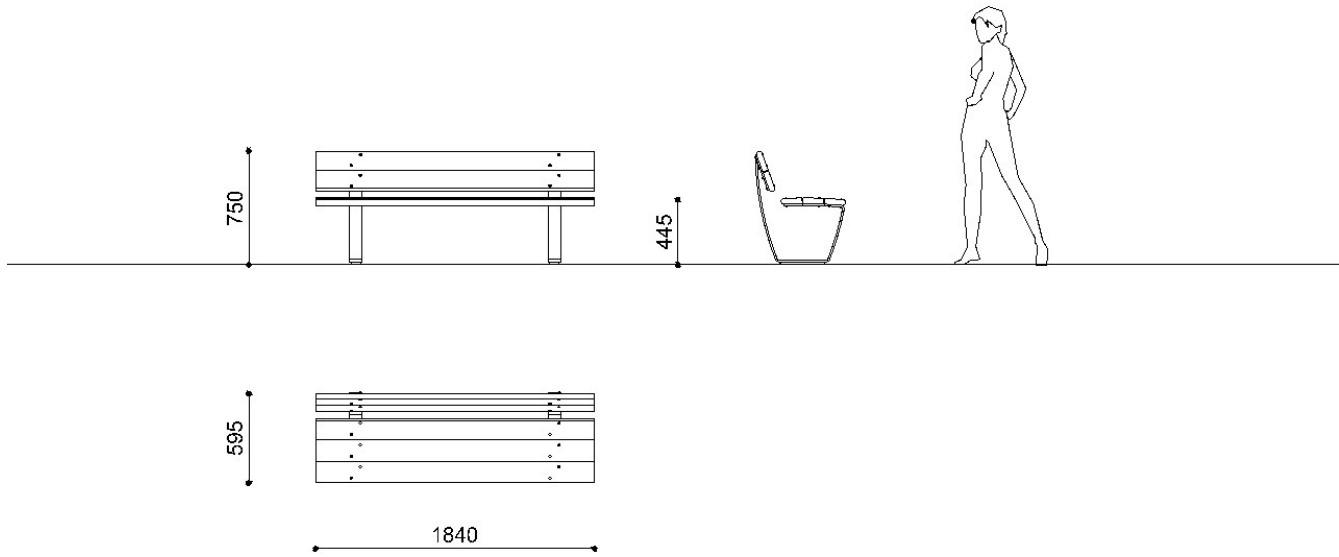
Finishes: Polyester powder coated steel in wrinkled finish
+
Hardwood with water-based pigmented impregnation

Color:
to be chosen from Metalco standard colour range

Finishes:

Fixing: Pre-drilled for anchors

Technical drawing:



metalco.it
info@metalco.it



POWDER COATED STEEL - POWDER COATED ALUMINUM

For every steel product and component, we choose the most suitable raw materials and treatments based on our production cycle and the needs of each design.

Our steel treatments include hot-dip galvanization, cold galvanizing, Sendzimir galvanization, cataphoresis and primer coating.

For our aluminum products and components, we use aluminum in sheet or in extrusion or in casting.

Then we powder coat steel, stainless steel, and aluminum with polyester powder, in accordance with EN ISO 12944-2.

We offer a wide range of standard RAL colors with wrinkled finish with different levels of texture. Only when customization through stickers, pad printing or serigraphy is provided, for technical reasons, their finish will be smooth matte or smooth glossy, depending on the technical feasibility.

We also offer the exclusive SABLÈ' colours, with a peculiar metallic wrinkled texture.

Upon request, different treatments and customizations are available, such as powder coating with non-standard RAL colors, and/or with smooth matte and smooth glossy finishes, and/or anti-graffiti treatment.

If required, the powder coating process can be certified Quality Steel.

RAL



SABLÈ



The mentioned RAL and SABLÈ colours should be considered only illustrative.

metalco.it
info@metalco.it



WOOD

We use different types of wood for our products, including hardwood, thermotreated pine wood* or Okumè wood.

The hardwood is provided with a water-based pigmented impregnation treatment.

Upon request, hardwood can be left natural/untreated.

Pine wood* undergoes heat treatment, which allows to obtain a material with a longer life cycle, greater resistance to weathering and decay, greater solidity and dimensional stability.

On request, it can be supplied with a water-based pigmented impregnation treatment.

Okumè wood products are always supplied with a water-based varnish.

Thermotreated pine and hardwood can be supplied with FSC certificate on request.

*Thermo-treated pine wood has knots of varying sizes.



THERMO-TREATED PINE



UNTREATED HARDWOOD



THERMO-TREATED PINE WITH PIGMENTED IMPREGNATION



HARDWOOD WITH PIGMENTED IMPREGNATION



VARNISHED OKUMÉ PLYWOOD



VARNISHED OKUMÉ

