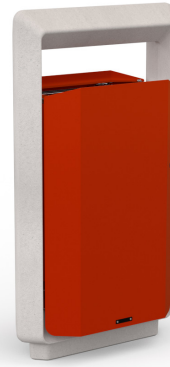


Sbin



Litter bin composed of a supporting structure in UHPC (Ultra High Performance Concrete) and two specular panels in sheet steel, of which one is fixed and one which opens with snap lock. The litter bin is equipped with a bag holder ring.

Variant code: 0026534

Size and weight: Width 275mm
Length 560mm
Height 1010mm
Weight 100kg
Capacity 60lt

Materials: UHPC (Ultra High Performance Concrete) alfa
- natural smooth

Steel treated with protective coating and powder coating

Finishes: UHPC (Ultra High Performance Concrete)
alfa - natural smooth

Polyester powder coated steel in wrinkled finish

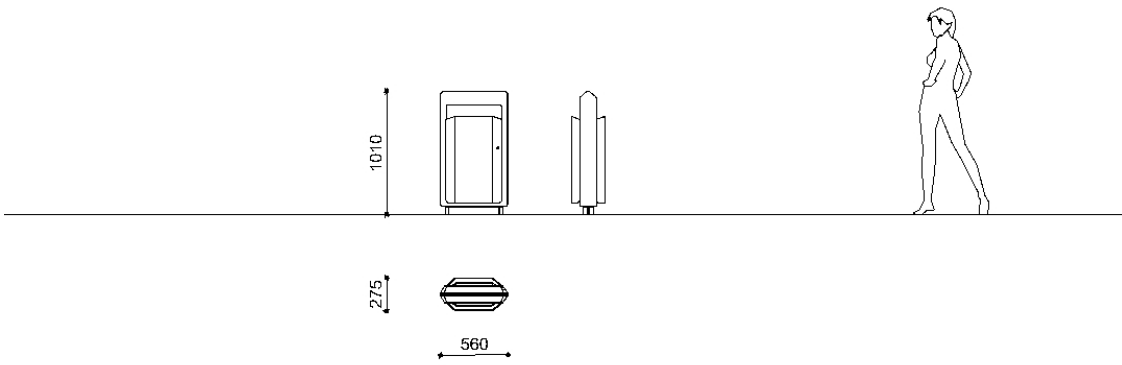
Color:
UHPC color to be chosen between white, grey and dark grey.

Steel treated with protective coating and powder coating

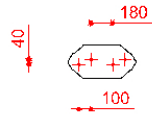
Finishes:

Fixing: Below ground installation

Technical drawing:



Ground fixings



metalco.it
info@metalco.it



POWDER COATED STEEL - POWDER COATED ALUMINUM

For every steel product and component, we choose the most suitable raw materials and treatments based on our production cycle and the needs of each design.

Our steel treatments include hot-dip galvanization, cold galvanizing, Sendzimir galvanization, cataphoresis and primer coating.

For our aluminum products and components, we use aluminum in sheet or in extrusion or in casting.

Then we powder coat steel, stainless steel, and aluminum with polyester powder, in accordance with EN ISO 12944-2.

We offer a wide range of standard RAL colors with wrinkled finish with different levels of texture. Only when customization through stickers, pad printing or serigraphy is provided, for technical reasons, their finish will be smooth matte or smooth glossy, depending on the technical feasibility.

We also offer the exclusive SABLÈ' colours, with a peculiar metallic wrinkled texture.

Upon request, different treatments and customizations are available, such as powder coating with non-standard RAL colors, and/or with smooth matte and smooth glossy finishes, and/or anti-graffiti treatment.

If required, the powder coating process can be certified Quality Steel.

RAL



SABLÈ



The mentioned RAL and SABLÈ colours should be considered only illustrative.

metalco.it
info@metalco.it

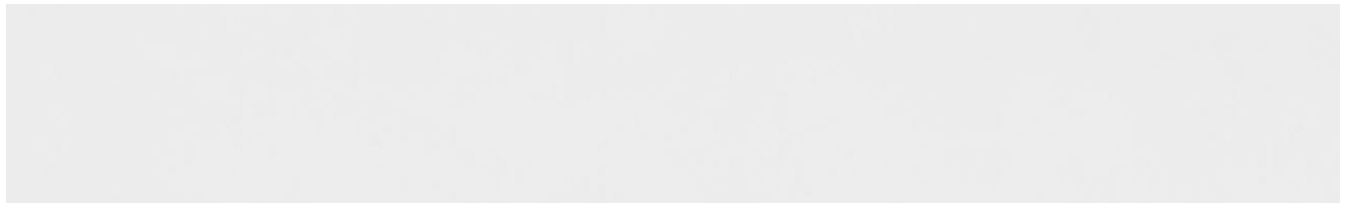


UHPC (ULTRA HIGH PERFORMANCE CONCRETE)

Our UHPC (Ultra High Performance Concrete) is available in three different colors, white, grey and dark grey, provided with ALFA-natural smooth finish.

Characterized by textured appearance, UHPC can present not uniform cloudy effects of color and light cracks, which are physiological aspects of this material.

The finished products are treated with a protective varnish, and upon request, anti-graffiti treatment can be also applied.



UHPC WHITE



UHPC GREY



UHPC DARK GREY

