

Altus



Double-sided display board composed of two vertical elements in aluminum, with a steel inner core, equipped with a vertical groove with spacers that allows the insertion of a panel made of steel tube and steel sheet. The board is designed with an upper shaped steel element for the application of logos, coats of arms or texts to be displayed. Display surface 1000x1400 mm.

Variant code: 0551574

Size and weight: Width 1334mm
Length 200mm
Height 2777mm
Weight 78kg

Materials: Steel treated with protective coating and powder coating

Polyester powder coated aluminum

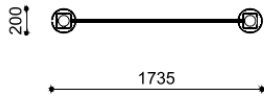
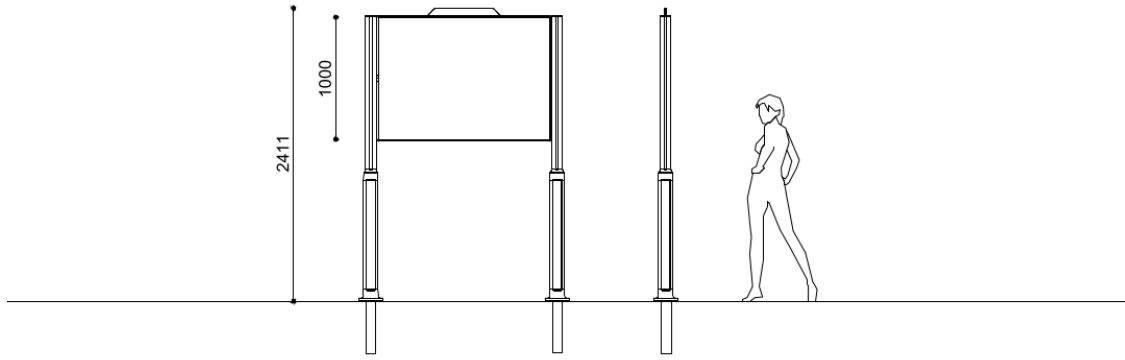
Finishes: Polyester powder coated steel in wrinkled finish

Polyester powder coated aluminum in wrinkled finish

Color:
to be chosen from Metalco standard colour range

Fixing: Below ground installation

Technical drawing:



metalco.it
info@metalco.it



POWDER COATED STEEL - POWDER COATED ALUMINUM

For every steel product and component, we choose the most suitable raw materials and treatments based on our production cycle and the needs of each design.

Our steel treatments include hot-dip galvanization, cold galvanizing, Sendzimir galvanization, cataphoresis and primer coating.

For our aluminum products and components, we use aluminum in sheet or in extrusion or in casting.

Then we powder coat steel, stainless steel, and aluminum with polyester powder, in accordance with EN ISO 12944-2.

We offer a wide range of standard RAL colors with wrinkled finish with different levels of texture. Only when customization through stickers, pad printing or serigraphy is provided, for technical reasons, their finish will be smooth matte or smooth glossy, depending on the technical feasibility.

We also offer the exclusive SABLÈ' colours, with a peculiar metallic wrinkled texture.

Upon request, different treatments and customizations are available, such as powder coating with non-standard RAL colors, and/or with smooth matte and smooth glossy finishes, and/or anti-graffiti treatment.

If required, the powder coating process can be certified Quality Steel.

RAL



SABLÈ



The mentioned RAL and SABLÈ colours should be considered only illustrative.

metalco.it
info@metalco.it

