

Baum



Bike rack in powder coated stainless steel tube composed of a circle-shaped element with a central support with base plate and inclined currents. The bike rack allows to secure the bike through the frame. It can also be used as a barrier.

Variant code: 0031674

Size and weight: Width 150mm
Length 900mm
Weight 10kg
Seat Height 980mm

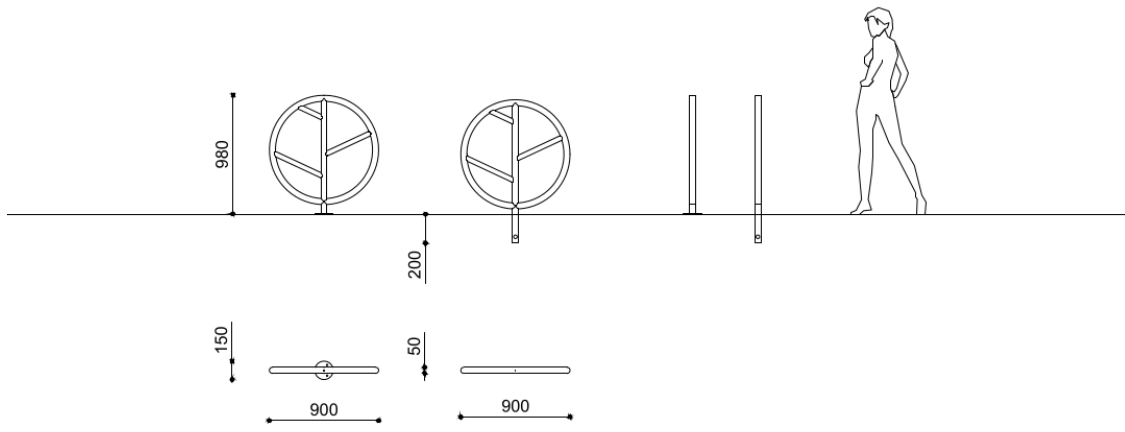
Materials: Polyester powder coated Stainless steel

Finishes: Polyester powder coated stainless steel in wrinkled finish

Color:
to be chosen from Metalco standard colour range

Fixing: Pre-drilled for anchors or Below ground installation

Technical drawing:



metalco.it
info@metalco.it



POWDER COATED STEEL - POWDER COATED ALUMINUM

For every steel product and component, we choose the most suitable raw materials and treatments based on our production cycle and the needs of each design.

Our steel treatments include hot-dip galvanization, cold galvanizing, Sendzimir galvanization, cataphoresis and primer coating.

For our aluminum products and components, we use aluminum in sheet or in extrusion or in casting.

Then we powder coat steel, stainless steel, and aluminum with polyester powder, in accordance with EN ISO 12944-2.

We offer a wide range of standard RAL colors with wrinkled finish with different levels of texture. Only when customization through stickers, pad printing or serigraphy is provided, for technical reasons, their finish will be smooth matte or smooth glossy, depending on the technical feasibility.

We also offer the exclusive SABLÈ' colours, with a peculiar metallic wrinkled texture.

Upon request, different treatments and customizations are available, such as powder coating with non-standard RAL colors, and/or with smooth matte and smooth glossy finishes, and/or anti-graffiti treatment.

If required, the powder coating process can be certified Quality Steel.

RAL



SABLÈ



The mentioned RAL and SABLÈ colours should be considered only illustrative.

metalco.it
info@metalco.it

